

C8 Series

C8/C8L

Exclusive Epson technology ensures high speed and low vibration with heavy payloads

- Ideal for multi-effector pick-and-place with multiple workpieces, and for handling and assembly tasks with heavy payloads

C8XL

Long, slim, 1400mm arm for machine tending operation

- Long, slim arm minimizes interference with nearby machinery and can reach into narrow spaces
- Low weight and compact design greatly increase configuration flexibility



Model Number C8 - A14 01 S □ □ - UL

Payload
 □ 8 : 8kg

Arm length
 □ 7 : 710mm
 □ 9 : 900mm
 □ 14 : 1400mm

Brake equipment
 □ 1 : Brakes on all joints

Environment
 □ S : Standard model
 □ C : Cleanroom & ESD (electrostatic discharge) model
 □ P : Protection model (IP67)

UL specification
 □ □ : Non UL compliant
 □ -UL : UL compliant

Mounting type
 □ □ : Table Top Mounting
 □ R : Ceiling Mounting
 □ W : Wall Mounting

M/C cable exit direction
 □ □ : Rearward
 □ B : Downward

Specifications

Model name		C8	C8L	C8XL
Model number		C8-A701□□□	C8-A901□□□	C8-A1401□□□
Max. motion range	P point:through the center of J4/J5/J6	711 mm	901 mm	1400 mm
	Wrist flange surface	791 mm	981 mm	1480 mm
Payload**	Rated	3 kg		
	Maximum	8 kg		
Repeatability	Joints #1-#6	±0.02 mm	±0.03 mm	±0.05 mm
Standard cycle time*1		0.31 sec	0.35 sec	0.53 sec
Max. operating speed	Joint #1	331 deg/sec	294 deg/sec	200 deg/sec
	Joint #2	332 deg/sec	300 deg/sec	167 deg/sec
	Joint #3	450 deg/sec	360 deg/sec	200 deg/sec
	Joint #4		450 deg/sec	
	Joint #5		450 deg/sec	
	Joint #6		720 deg/sec	
Allowable moment of inertia**	Joint #4		0.47 kg·m ²	
	Joint #5		0.47 kg·m ²	
	Joint #6		0.15 kg·m ²	
Installation environment		Standard/Cleanroom*3 &ESD		
Mounting type		Table Top/Ceiling*4/Wall*4/Protection(IP67)		
Weight (cable not included)		49 kg (IP:53 kg)	52 kg (IP:56 kg)	62 kg (IP:66 kg)
Applicable Controller		RC700-A		
Installed wire for customer use		15 pin (D-sub) , 8 pin (RJ45) , 6pin (for force sensor)		
Installed pneumatic tube for customer		Ø6 mm x 2/Allowable pressure: 0.59 Mpa (6 kgf/cm ²)		
Power		AC200-240 V Single phase		
Power Consumption*5		2.5 kVA		
Cable length		3 m/5 m/10 m/15 m/20 m		
Safety standard		CE, KC, UL		

*1: Cycle time based on round-trip arch motion (300 mm horizontal, 25 mm vertical) at each payload setting (path coordinates optimized for maximum speed)

*2: When payload center of gravity is aligned with Joint #4 ; if not aligned with Joint #4, set parameters using INERTIA command.

*3: C8 and C8L comply with ISO Class 3 (ISO14644-1) cleanroom standards (comparable to previous Clean Class 1: fewer than 10 particles with a diameter greater than 0.1 μm per 28317cm³:1cft in operating area air sample)

C8XL complies with ISO Class 4 (ISO14644-1) cleanroom standards (comparable to previous Clean Class 10: fewer than 100 particles with a diameter greater than 0.1 μm per 28317cm³:1cft in operating area air sample)

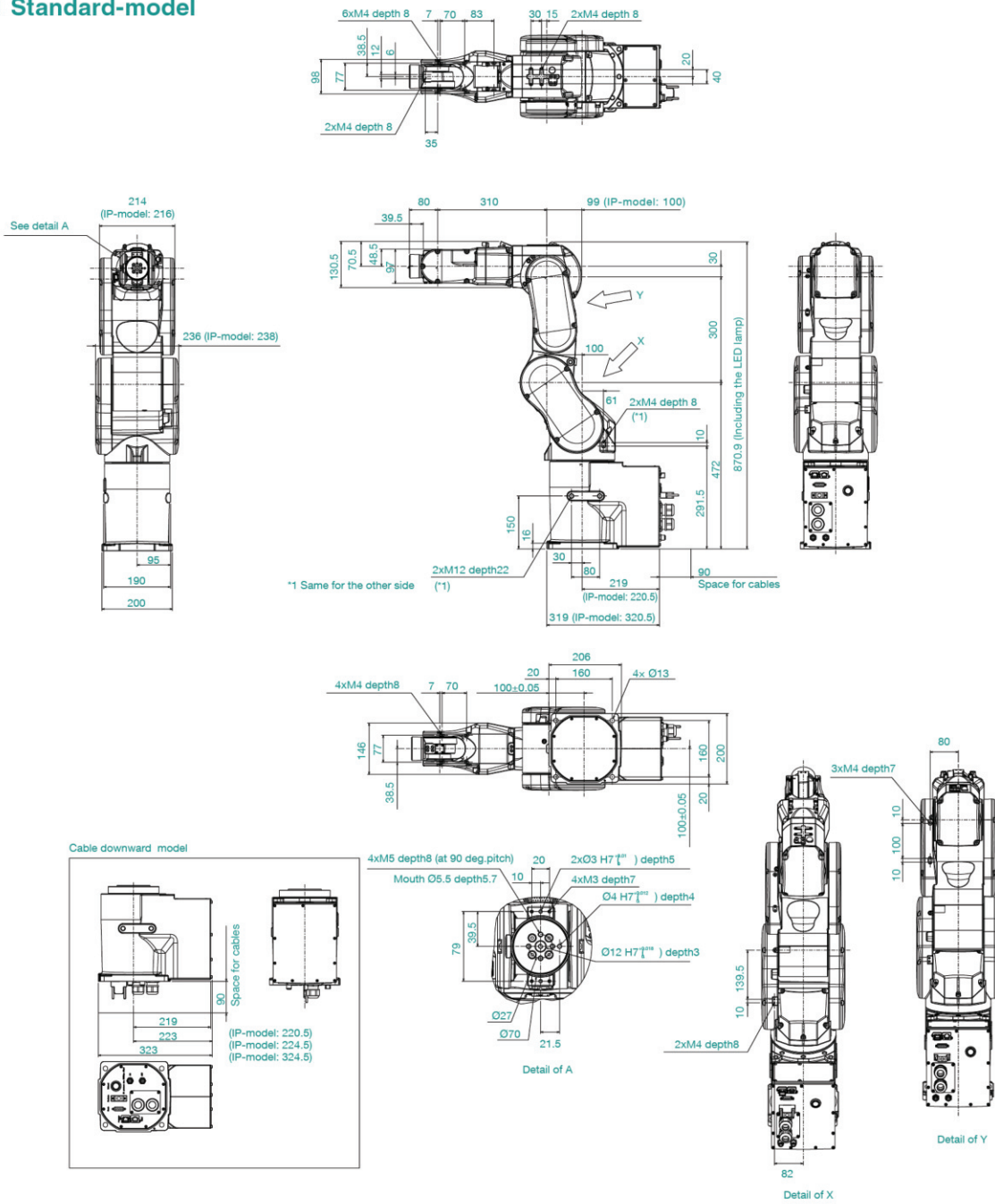
*4: Ceiling- and wall-mounted robots should be programmed using the EPSON RC+ software ceiling- or wall-mount settings.

*5: Varies according to operating environment and program.

Outer Dimensions

[Unit: mm]

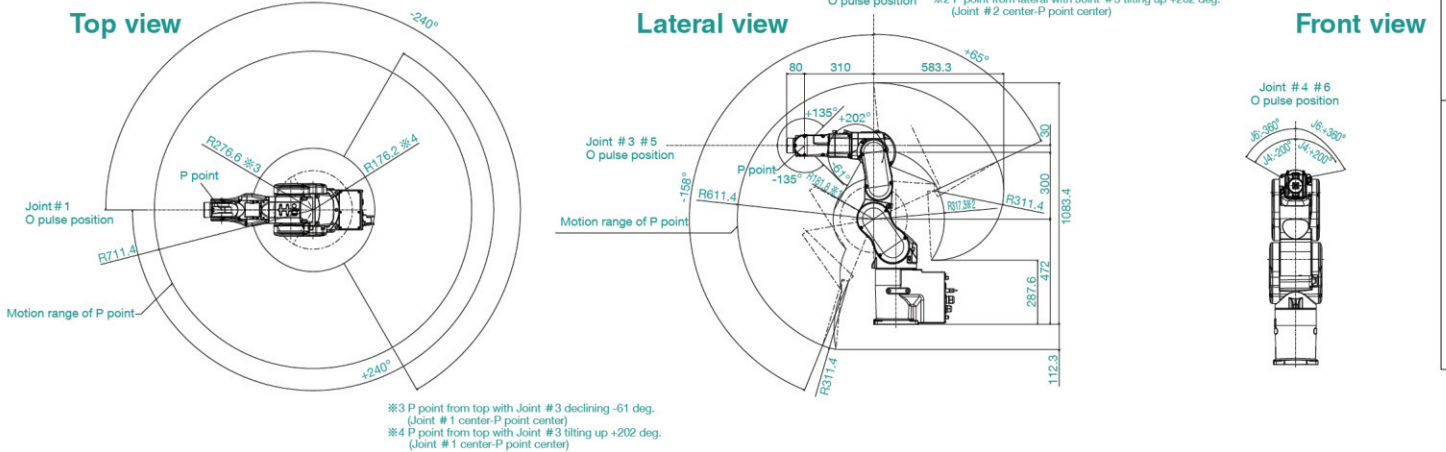
A701 Standard-model



Motion Range

[Unit: mm]

A701 Standard-model



SCARA robots

6-axis robots

Controllers

Software

Vision systems

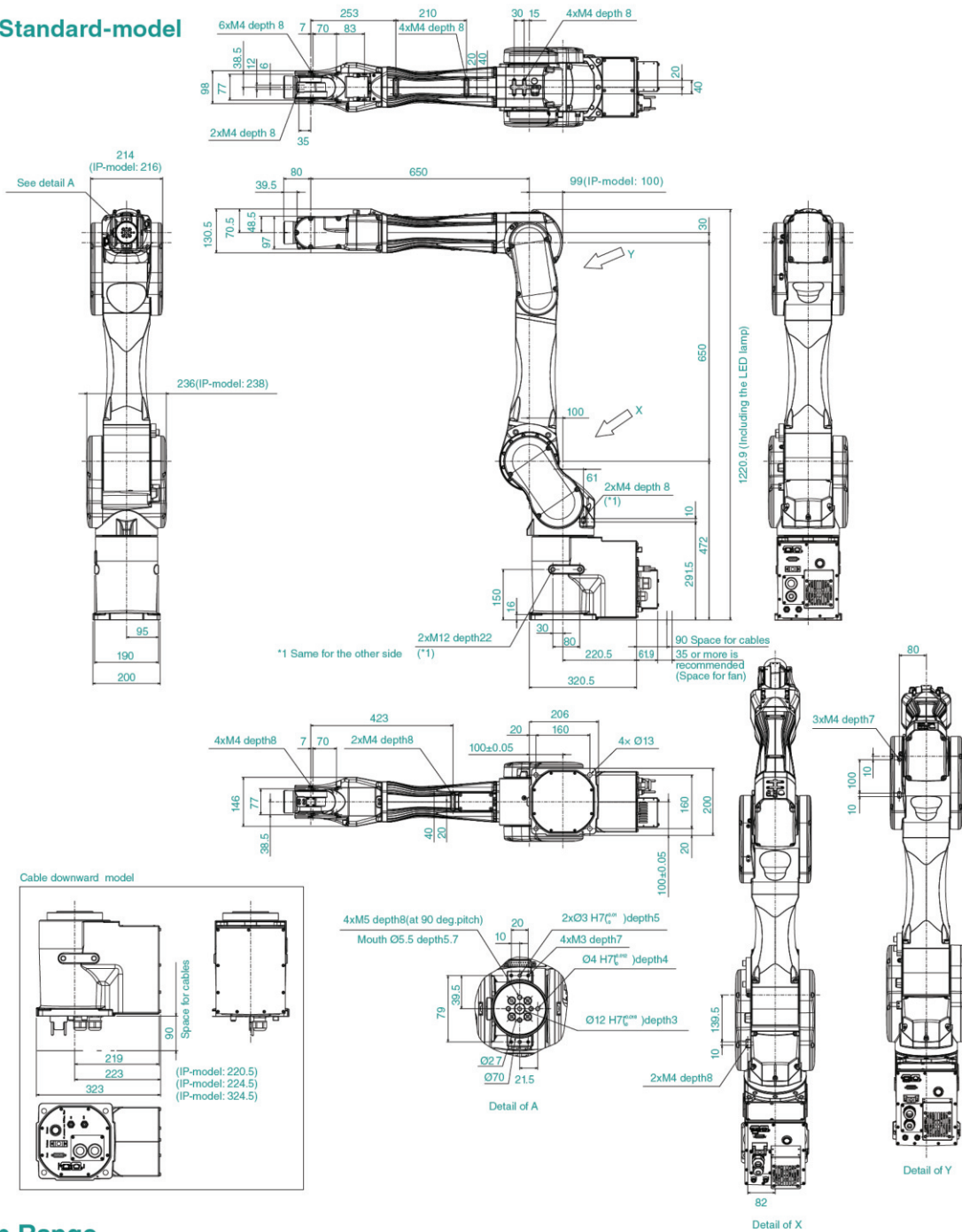
Force-sensing systems

Options

Outer Dimensions

[Unit: mm]

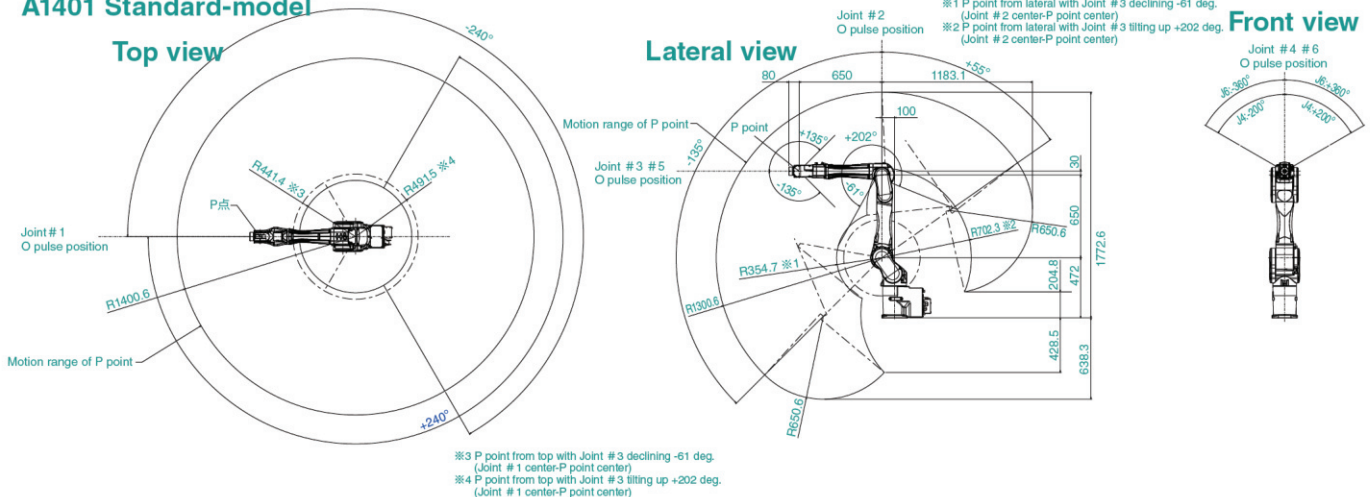
A1401 Standard-model



Motion Range

[Unit: mm]

A1401 Standard-model



SCARA robots
6-axis robots
Controllers
Software
Vision systems
Force-sensing systems
Options